

PLOT DE BALIZAJE / ML-LYCOS

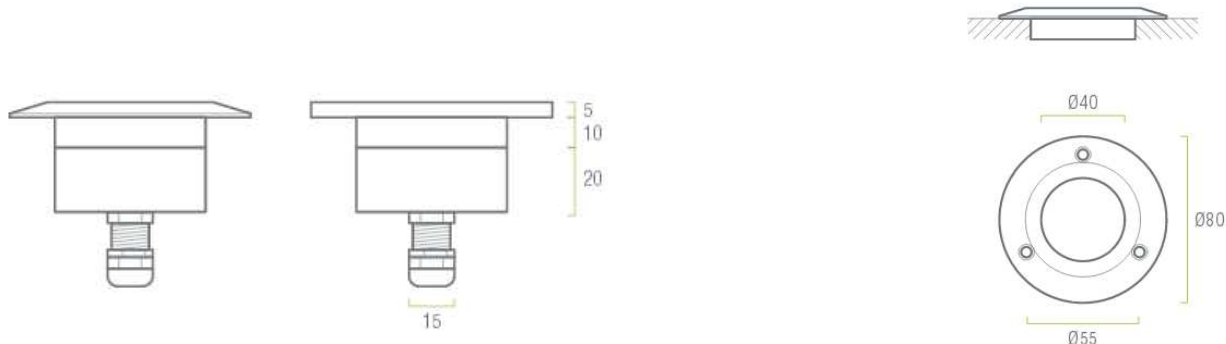
Ø 80mm

IP67 IK07 III 850° éco

Mono. | 24V_{AC-DC} | 9 LED Ø5mm | 2W
 18 LED Ø5mm

RVB | 24V_{DC} | 5 LED CMS | 1,5W

el 70% del flujo luminoso – 100 000h tº(h)



CARACTERÍSTICAS TÉCNICAS / TECHNICAL SPECIFICATIONS

9 led, 18 led, 5 led RGB

Stainless steel / Acero inoxidable

Anodized aluminium / Aluminio anodizado

Colors / Colores: White, Cold White, Amber, Red, Green, Blue / Blanco, Blanco frío, Ámbar, Rojo, Verde, Azul

Voltage / Mono color: 24 VAC-DC / RGB 24 VDC