

360° INTELLIGENT SOLAR ROAD STUD



KEY FEATURES

- 360° view
- Well-suited for road areas with cycling infrastructures
- Minimal rising from road surface in order to not disrupt the circulation of bicycles
- High performance photovoltaic module
- Energy storage in super capacitors or batteries
- Low power consumption
- Visibility up to 1km
- Operation Mode: Always on, Flashing

SPECIFICATIONS

ELECTRICAL

Power Supply:

Battery NI-MH: 1,2Vdc / 1900mA

Capacitor: 2,3Vdc / 120F

Autonomy:

Battery: 350h (Always on); 1050h (Flashing)

Super Capacitor: 26h (Always on); 72h (Flashing)

OPTICAL

LEDs Number: up to 4 LEDs

LEDs Colour: Amber, Red, White, Blue, Green

LEDs Configuration: Omni-directional - possibility of having different LED colours in one piece

MECHANICAL

Dimensions: Ø145mm x 87mm

Projection: 15mm

Minimum Installation Depth: 80mm

Bottom part Material: Aluminium

Top Material: Polycarbonate

Mechanical Resistance: 20Tons

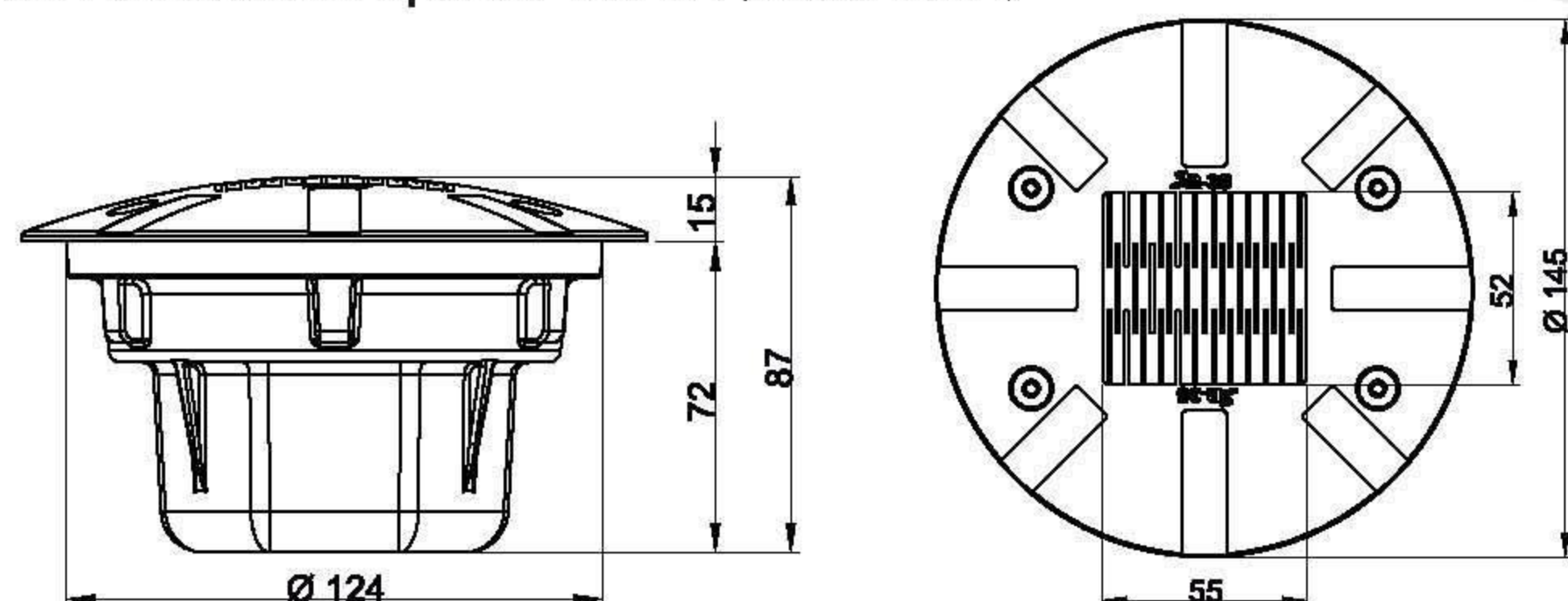
Protection Index: IP68 and IK10

HARDWIRED VERSION SR-35C

- Possibility of integration with control traffic devices
- Hardwired system for solar powered or electrical energy
- Possibility of connection of N elements
- Variable distance cable

CHARACTERISTICS

- **LEDs Number:** up to 16 LEDs
- **Power Supply:** 12Vdc or 24Vdc
- **Current Consumption:** 160mA (maximum)



Dimensions: mm

